

SLV Series 3/2-Way Direct Acting Solenoid Valve

●The Professional Solenoid Valves Manufactory

SLV Series 3/2-way direct acting solenoid valve

SLV1 • Normally Closed;

SLV2 • Normally Open

SLV3 • Diverting;

SLV4 • Universal

SLV5 • Free Exhaust



2 & 4 Body Type



1 & 3 Body Type

Solenoid Valves Numbering System for Order

Position description	1	2	3	4	5	6	7	8	9	10
	Valve Series	Mode of Operation	Coil Type	Coil Class	Voltage	Seal Material	Body Material	Pipe Size	Orifice (φ mm)	Options
E.G.	SLV	1	D	F	02	N	1	A	V3	
	SLV Series	1: Normally Closed 2: Normally Open 3: Diverting 4: Universal 5: Normally Closed (Free exhaust)	D: DIN Standard Connections, Fully Encapsulated (For Body type: Brass 1 S.S. 3) W: Metallic Housing, Lead wires (For Body type: Brass 2 S.S. 4) S: NASS Coil (For Body type: Brass 1 S.S. 3)	F: Class	02=220VAC 230VAC 50/60HZ 01=110VAC 120VAC 50/60HZ 05=24VAC 13=DC24V 12=DC12V	V: VITON E: EPDM N: NBR	1= Brass 3=S.S Body 1&3 for D type Coil 2=Brass 4=S.S Body 2&4 for W type Coil See Valve Selection List	A=1/8" B=1/4"	V1=1.5 × 1.2 V2=2.0 × 1.2 V3=2.5 × 1.2 V4=3.0 × 1.2	N NPT Connection

Sanlixin Solenoid Valve

SLV Series 3/2-Way Direct Acting Solenoid Valve

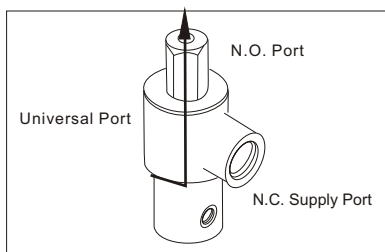
● The Professional Solenoid Valves Manufactory

SLV1 Normally closed type

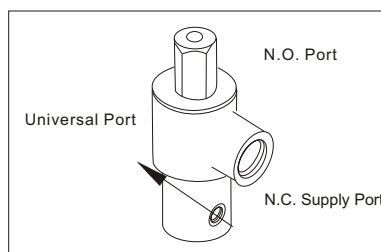
Pipe Conn-ection	Orifice mm		CV Factor		Operating pressure differential (kgf/cm ²)						Max. Fluids Temp.	Coil Type	Power consumption		Coil Class	Model Code Follows Voltage are 220VAC 50/60HZ		
					Min.	Max.			AC 220 V	W DC 24 V								
	Air Gas		Water Liquids			Light oil ≤20CST												
	AC	DC	AC	DC		AC	DC											
1/8"	1.5	1.2	.07	0.05	0	10	7	10	7	10	7	80	D	22	13	F	SLV1DF02N1AV1	SLV1DF02N3AV1
	2.0	1.2	.14	0.05	0	8	6	8	6	8	6	80	D	22	13	F	SLV1DF02N1AV2	SLV1DF02N3AV2
	2.5	1.2	.21	0.05	0	7	5	7	5	7	5	80	D	22	13	F	SLV1DF02N1AV3	SLV1DF02N3AV3
	3.0	1.2	.23	0.05	0	5	8	5	8	5	8	80	D	22	13	F	SLV1DF02N1AV4	SLV1DF02N3AV4
1/4"	1.5	1.2	.07	0.05	0	10	7	10	7	10	7	80	D	22	13	F	SLV1DF02N1BV1	SLV1DF02N3BV1
	2.0	1.2	.14	0.05	0	8	6	8	6	8	6	80	D	22	13	F	SLV1DF02N1BV2	SLV1DF02N3BV2
	2.5	1.2	.21	0.05	0	7	5	7	5	7	5	80	D	22	13	F	SLV1DF02N1BV3	SLV1DF02N3BV3
	3.0	1.2	.23	0.05	0	5	4	5	4	5	4	80	D	22	13	F	SLV1DF02N1BV4	SLV1DF02N3BV4

Normally closed

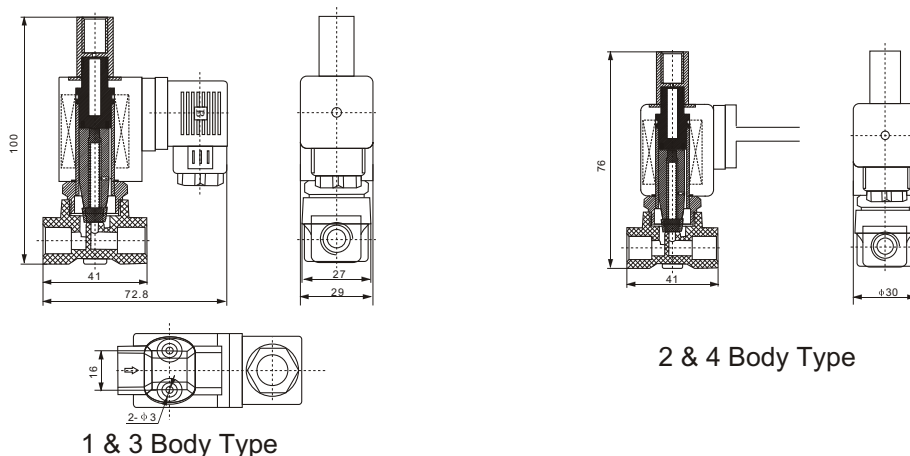
De-energized



Energized



Construction, External Dimensions Chart



SLV Series 3/2-Way Direct Acting Solenoid Valve

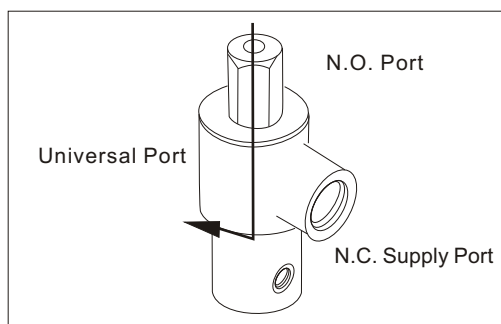
●The Professional Solenoid Valves Manufactory

SLV2 Normally Open Type

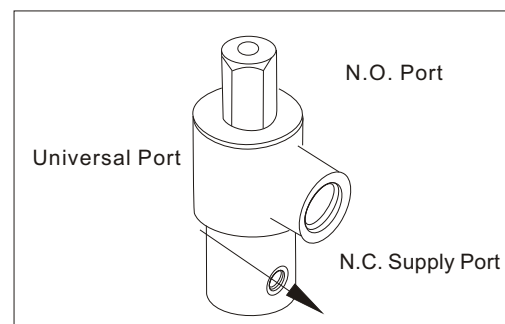
Pipe Conn- ection	Orifice mm		CV Factor		Operating pressure differential (kgf/cm ²)						Max. Fluids Temp.	Coil Type	Power consumption		Coil Class	Model Code Follows Voltage are 220VAC 50/60HZ		
					Min.	Max.							VA	W				
	Air Gas		Water Liquids			Light oil ≤20CST		AC 220 V	DC 24 V									
	AC	DC	AC	DC		AC	DC											
1/8"	1.5	1.2	.07	0.05	0	6	3	6	3	6	3	80	D	22	13	F	SLV2DF02N1AV1	SLV2DF02N3AV1
	2.0	1.2	.14	0.05	0	6	3	6	3	6	3	80	D	22	13	F	SLV2DF02N1AV2	SLV2DF02N3AV2
	2.5	1.2	.21	0.05	0	4	2	4	2	4	2	80	D	22	13	F	SLV2DF02N1AV3	SLV2DF02N3AV3
	3.0	1.2	.23	0.05	0	4	2	4	2	4	2	80	D	22	13	F	SLV2DF02N1AV4	SLV2DF02N3AV4
1/4"	1.5	1.2	.07	0.05	0	6	3	6	3	6	3	80	D	22	13	F	SLV2DF02N1BV1	SLV2DF02N3BV1
	2.0	1.2	.14	0.05	0	6	3	6	3	6	3	80	D	22	13	F	SLV2DF02N1BV2	SLV2DF02N3BV2
	2.5	1.2	.21	0.05	0	4	2	4	2	4	2	80	D	22	13	F	SLV2DF02N1BV3	SLV2DF02N3BV3
	3.0	1.2	.23	0.05	0	4	2	4	2	4	2	80	D	22	13	F	SLV2DF02N1BV4	SLV2DF02N3BV4

Normally Open

De-energized



Energized



SLV Series 3/2-Way Direct Acting Solenoid Valve

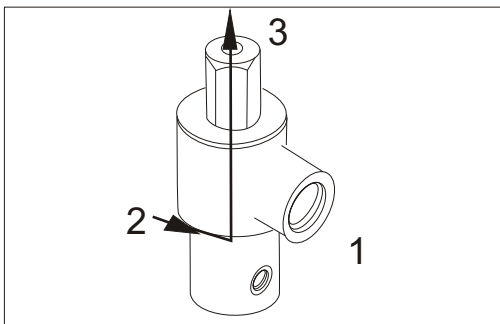
● The Professional Solenoid Valves Manufactory

SLV3 Diverting Type

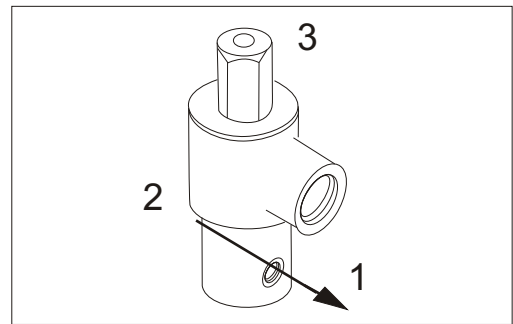
Pipe Conn-ection	Orifice mm		CV Factor		Operating pressure differential (kgf/cm ²)						Max. Fluids Temp.	Coil Type	Power consumption		Coil Class	Model Code Follows Voltage 220VAC 50/60HZ		
					Min.	Max.							VA	W				
	Air Gas		Water Liquids			Light oil ≤20CST		AC 220 V	DC 24 V									
	AC	DC	AC	DC		AC	DC											
1/8"	1.5	1.2	.07	0.05	0	12	8	12	8	12	8	80	D	22	13	F	SLV3DF02N1AV1	SLV3DF02N3AV1
	2.0	1.2	.14	0.05	0	10	7	10	7	10	7	80	D	22	13	F	SLV3DF02N1AV2	SLV3DF02N3AV2
	2.5	1.2	.21	0.05	0	8	6	8	6	8	6	80	D	22	13	F	SLV3DF02N1AV3	SLV3DF02N3AV3
	3.0	1.2	.23	0.05	0	7	5	7	5	7	5	80	D	22	13	F	SLV3DF02N1AV4	SLV3DF02N3AV4
1/4"	1.5	1.2	.07	0.05	0	12	8	12	8	12	8	80	D	22	13	F	SLV3DF02N1BV1	SLV5DF02N3BV1
	2.0	1.2	.14	0.05	0	10	7	10	7	10	7	80	D	22	13	F	SLV3DF02N1BV2	SLV3DF02N3BV2
	2.5	1.2	.21	0.05	0	8	6	8	6	8	6	80	D	22	13	F	SLV3DF02N1BV3	SLV3DF02N3BV3
	3.0	1.2	.23	0.05	0	7	5	7	5	7	5	80	D	22	13	F	SLV3DF02N1BV4	SLV3DF02N3BV4

Diverting

De-energized



Energized



SLV Series 3/2-Way Direct Acting Solenoid Valve

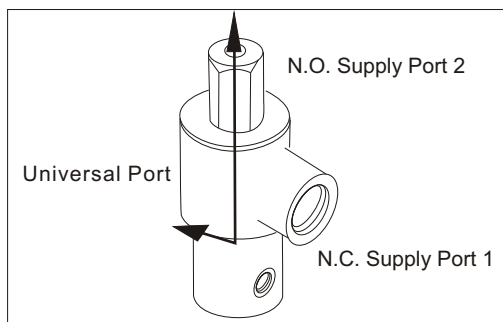
●The Professional Solenoid Valves Manufactory

SLV4 Universal Type

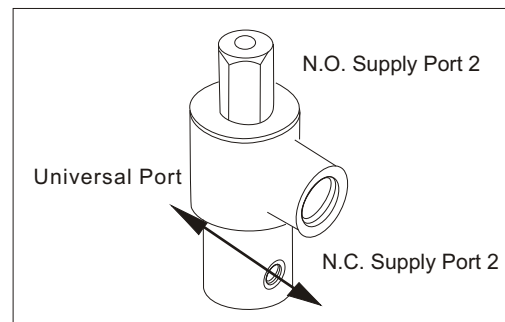
Pipe Conn-ection	Orifice mm		CV Factor		Operating pressure differential (kgf/cm ²)						Max. Fluids Temp.	Coil Type	Power consumption		Coil Class	Model Code Follows Voltage are 220VAC 50/60HZ		
					Min.	Max.				AC 220 V			DC 24 V					
	Air Gas		Water Liquids			Light oil ≤20CST												
	AC	DC	AC	DC		AC	DC											
1/8"		Body	Top	Body	Top													
	1.5	1.2	.07	0.05	0	6	4	6	4	6	4	80	D	22	13	F	SLV4DF02N1AV1	SLV4DF02N3AV1
	2.0	1.2	.14	0.05	0	5	3.5	5	3.5	5	3.5	80	D	22	13	F	SLV4DF02N1AV2	SLV4DF02N3AV2
	2.5	1.2	.21	0.05	0	4	3	4	3	4	3	80	D	22	13	F	SLV4DF02N1AV3	SLV4DF02N3AV3
	3.0	1.2	.23	0.05	0	3.5	2.5	3.5	2.5	3.5	2.5	80	D	22	13	F	SLV4DF02N1AV4	SLV4DF02N3AV4
1/4"																		
	1.5	1.2	.07	0.05	0	6	4	6	4	6	4	80	D	22	13	F	SLV4DF02N1BV1	SLV4DF02N3BV1
	2.0	1.2	.14	0.05	0	5	3.5	5	3.5	5	3.5	80	D	22	13	F	SLV4DF02N1BV2	SLV4DF02N3BV2
	2.5	1.2	.21	0.05	0	4	3	4	3	4	3	80	D	22	13	F	SLV4DF02N1BV3	SLV4DF02N3BV3
	3.0	1.2	.23	0.05	0	3.5	2.5	3.5	2.5	3.5	2.5	80	D	22	13	F	SLV4DF02N1BV4	SLV4DF02N3BV4

Universal

De-energized



Energized



SLV Series 3/2-Way Direct Acting Solenoid Valve

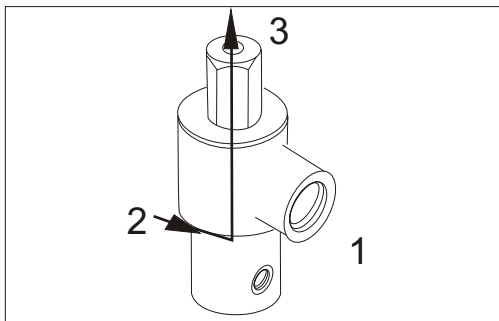
● The Professional Solenoid Valves Manufactory

SLV5 Free Exhaust Type

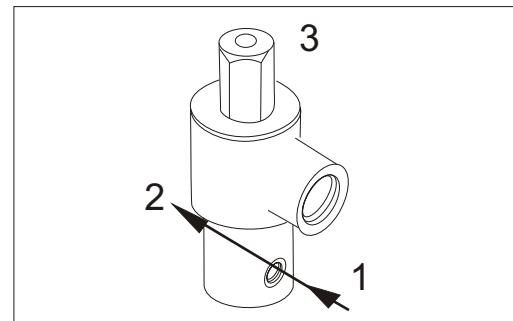
Pipe Conn- ection	Orifice mm		CV Factor		Operating pressure differential (kgf/cm ²)						Max. Fluids Temp.	Coil Type	Power consumption		Coil Class	Model Code Follows Voltage are 220VAC 50/60HZ		
					Min.	Max.							VA AC 220 V	W DC 24 V				
	Air Gas		Water Liquids			Light oil ≤20CST												
	Body	Top	AC	DC		AC	DC	AC	DC									
1/8"	1.5	1.2	.07	0.05	0	10	7	10	7	10	7	80	D	22	13	F	SLV5DF02N1AV1	SLV5DF02N3AV1
	2.0	1.2	.14	0.05	0	8	6	8	6	8	6	80	D	22	13	F	SLV5DF02N1AV2	SLV5DF02N3AV2
	2.5	1.2	.21	0.05	0	7	5	7	5	7	5	80	D	22	13	F	SLV5DF02N1AV3	SLV5DF02N3AV3
	3.0	1.2	.23	0.05	0	5	8	5	8	5	8	80	D	22	13	F	SLV5DF02N1AV4	SLV5DF02N3AV4
1/4"	1.5	1.2	.07	0.05	0	10	7	10	7	10	7	80	D	22	13	F	SLV5DF02N1BV1	SLV5DF02N3BV1
	2.0	1.2	.14	0.05	0	8	6	8	6	8	6	80	D	22	13	F	SLV5DF02N1BV2	SLV5DF02N3BV2
	2.5	1.2	.21	0.05	0	7	5	7	5	7	5	80	D	22	13	F	SLV5DF02N1BV3	SLV5DF02N3BV3
	3.0	1.2	.23	0.05	0	5	4	5	4	5	4	80	D	22	13	F	SLV5DF02N1BV4	SLV5DF02N3BV4

Free Exhaust

De-energized



Energized



SLV Series 3/2-Way Direct Acting Solenoid Valve

SLV Series Coils Characteristics List

Coils ModelCode	Voltage	Power consumption				DC W	Suitable Valve Model
		50HZ VA		60HZ VA			
		Inrush	Holding	Inrush	Holding		
D04-3101	AC220V	55	22	55	18	SLV Series	
W07-3101	AC220V	50	20	50	16		
D04-3106	DC24V	_____				13	SLV Series
W07-3106						13	
D04-3107	DC12V	_____				13	
W07-3107						13	