

SLDF Series <Under Water> Special Purpose Solenoid Valve

●The Professional Solenoid Valves Manufactory

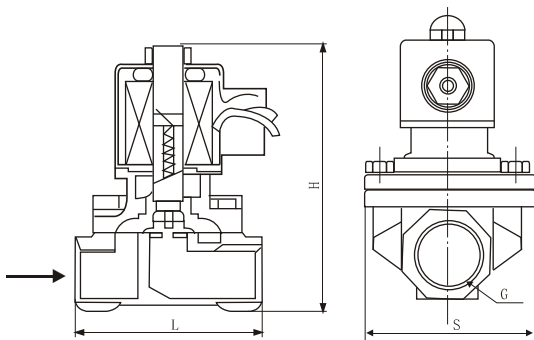
Description

SLDF series solenoid valve provides on- off control of fluid media on auto-control system. This series is designed for music fountain and dancing fountain.

SLDF series is direct acting solenoid valve which utilize pressure differential to open the valve. They feature diaphragm construction, and together with rapid on-off, stabile capability, easy use, and long-life. This valve has strong dirty-tight, can be used long time in river lake sea and kinds of made water areas.



Construction Dimensions Chart



Technical Parameter

1	Ambient Temp.	-10°C~50°C
2	Operating Pressure	Smaller then φ 50 0~0.6MPa Larger then φ 65 0.06MPa~0.5MPa
3	Fluid Media	Water
4	Fluids Temp.	0°C~60°C
5	Voltage	220V 50hz Power Consumption: AC 25W
6	Coil Class	B Class
7	Voltage Tolerance	-10%~+10%
8	Life-span	200000 Times
9	Response Times	0、2 Sec
10	Amounting Position	Flow as the arrow

Specifications

Model code	L (mm)	H(mm)	Pipe Size
SLDF-15	69	117	PT1/2"
SLDF-20	73	123.5	PT3/4"
SLDF-25	99	134.5	PT1"
SLDF-35	112	172	PT1/4"
SLDF-40	123	172	PT1/2"
SLDF-50	168	209	PT2"
SLDF-65F	250	260	Flange 4 Holes φ 17.5 Hole aperture φ 145 Hole distance
SLDF-80F	270	275	Flange 4 Holes φ 17.5 Hole aperture φ 160 Hole distance
SLDF-100F	350	310	Flange 8 Holes φ 17.5 Hole aperture φ 180 Hole distance
SLDF-150F	450	405	Flange 8 Holes φ 22 Hole aperture φ 240 Hole distance